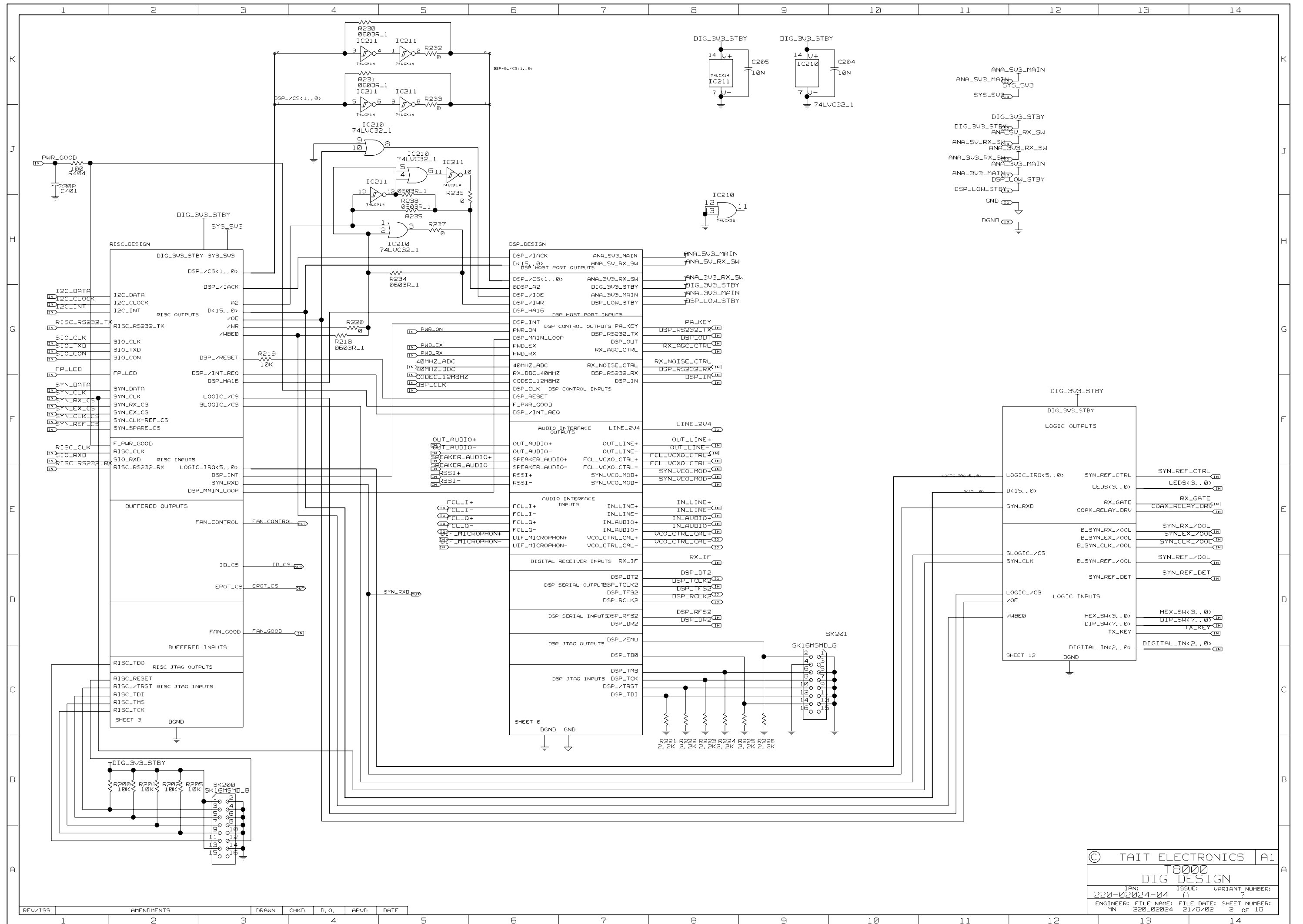
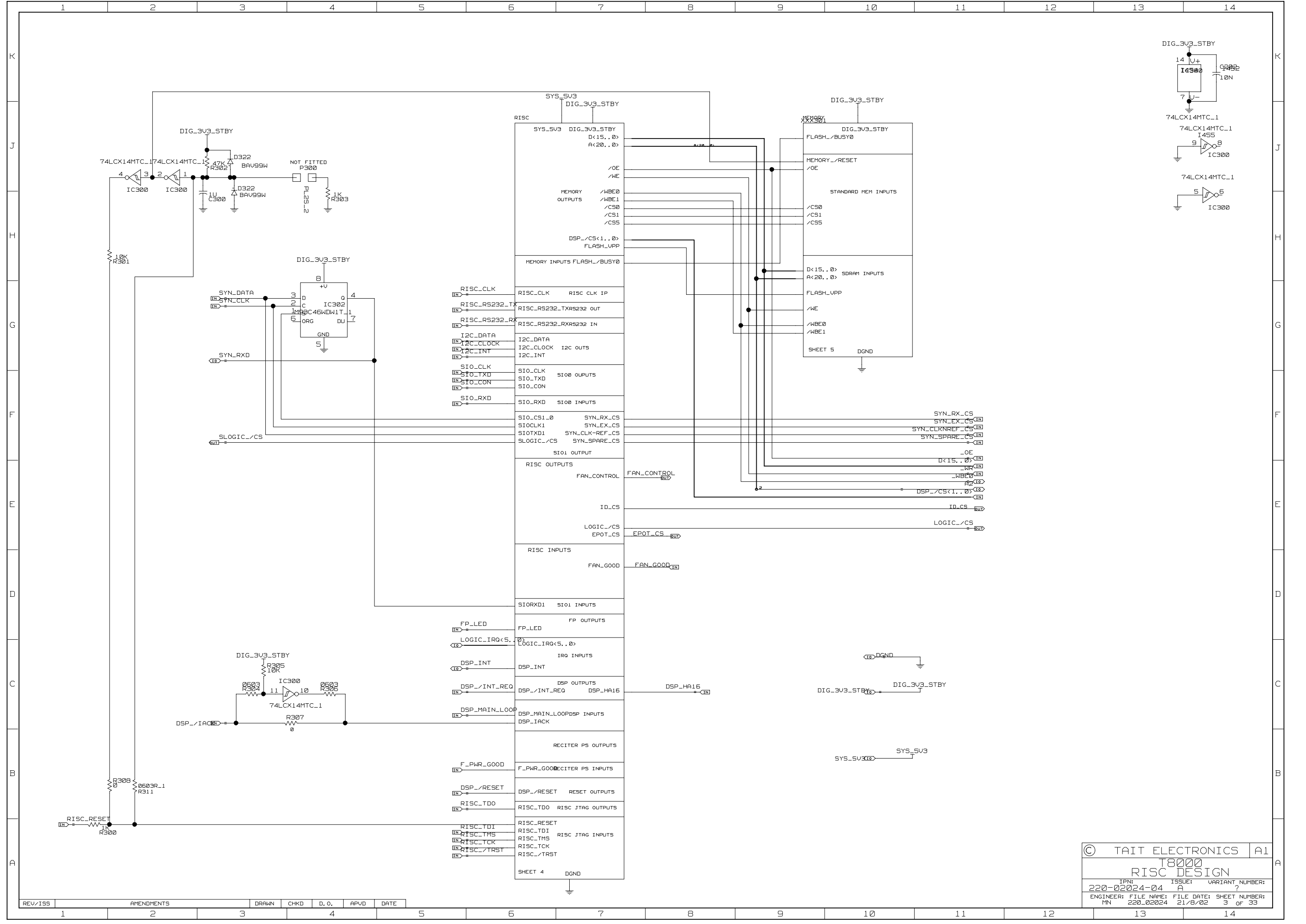


© TAIT ELECTRONICS | A1
RECITER CONTROL
 IPN: 18000
 220-0224-01 A
 ISSUE: VARIANT NUMBER:
 ENGINEER: FILE NAME: FILE DATE: SHEET NUMBER:
 MN SH 220_0224_07052002 1 of 18

REV/ISS	AMENDMENTS	DRAWN	CHKD	D. O.	APUD	DATE
1						

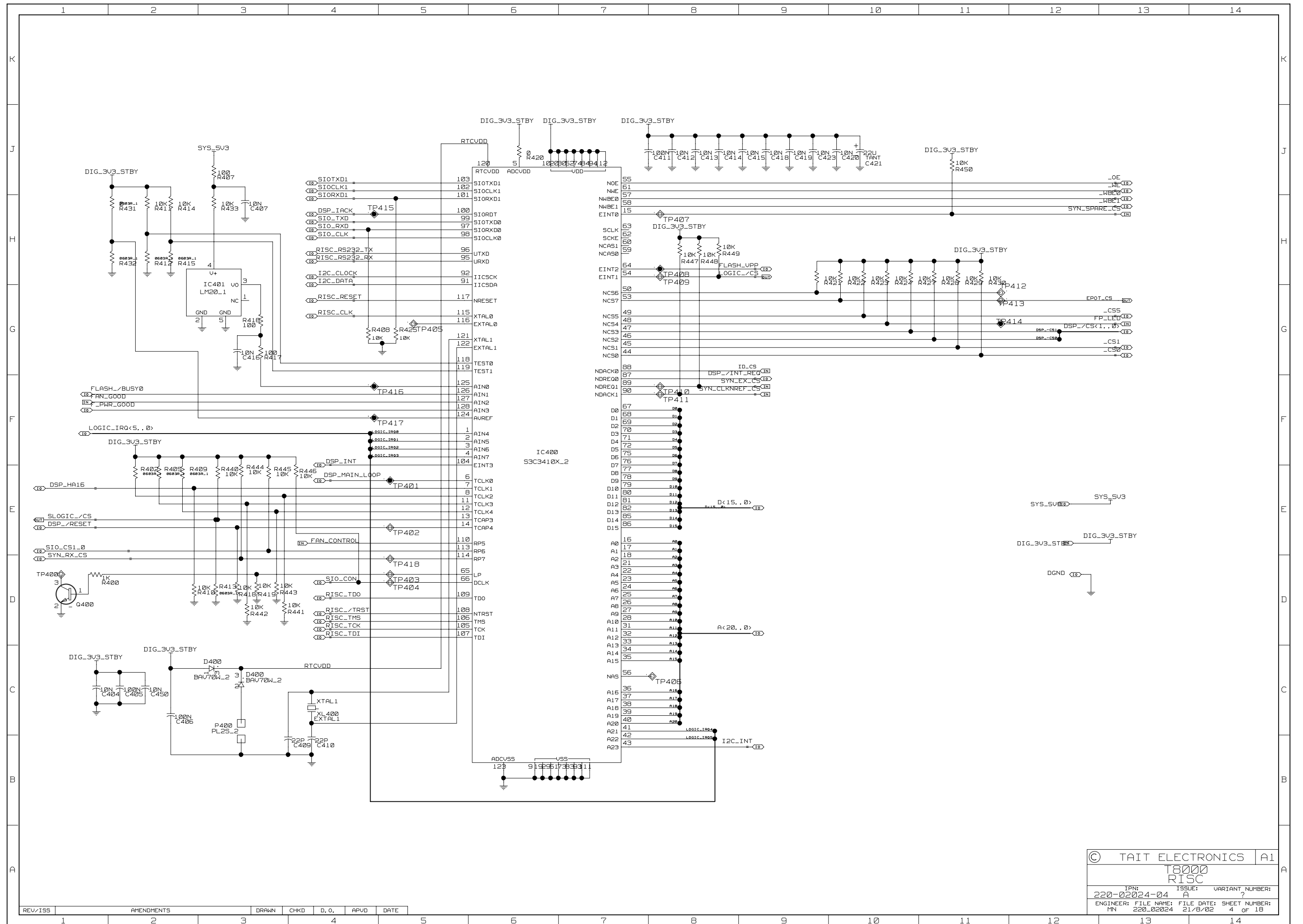


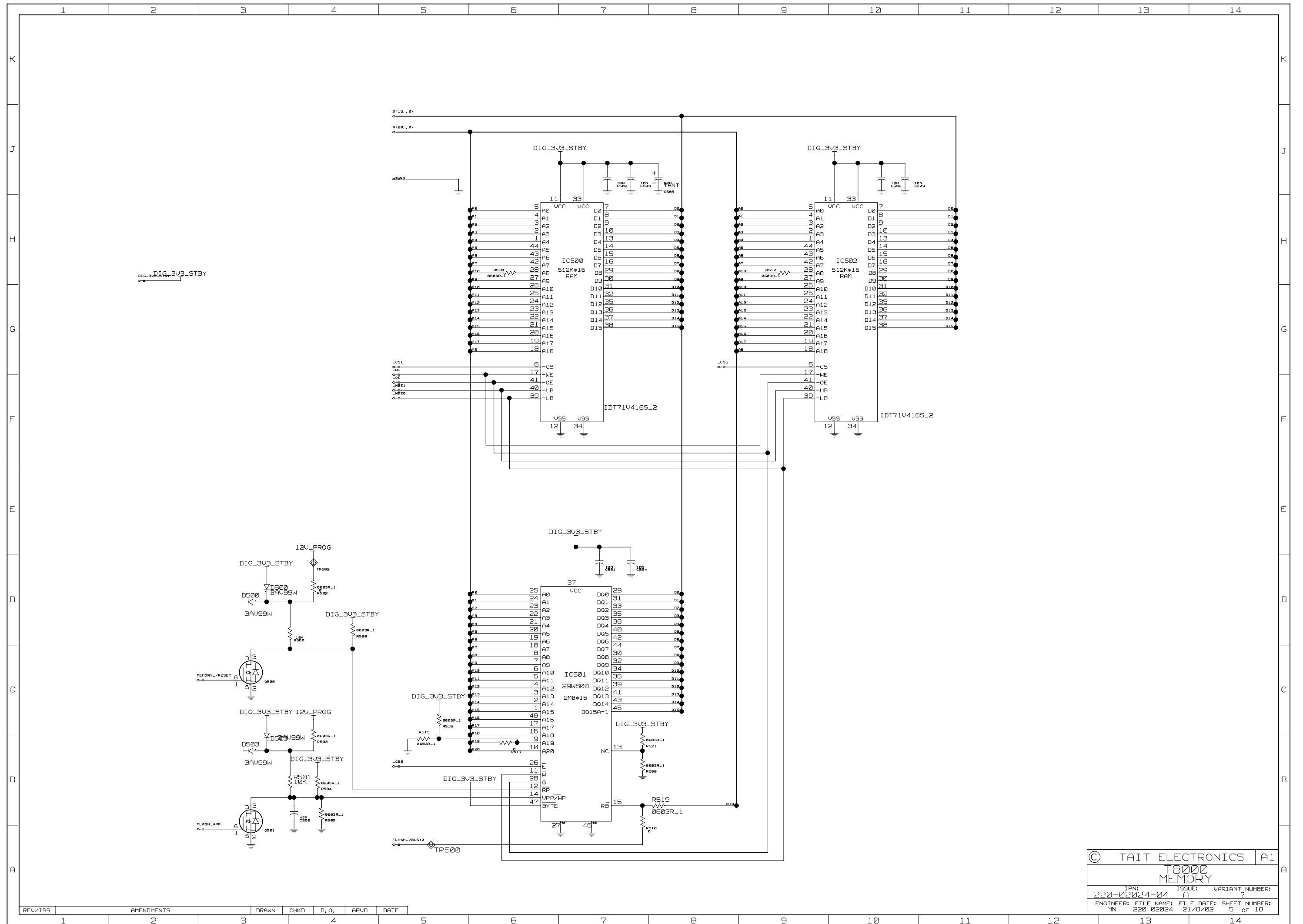
REV/ISS	AMENDMENTS	DRAWN	CHKD	D. O.	APUD	DATE
1	2	3	4	5	6	7



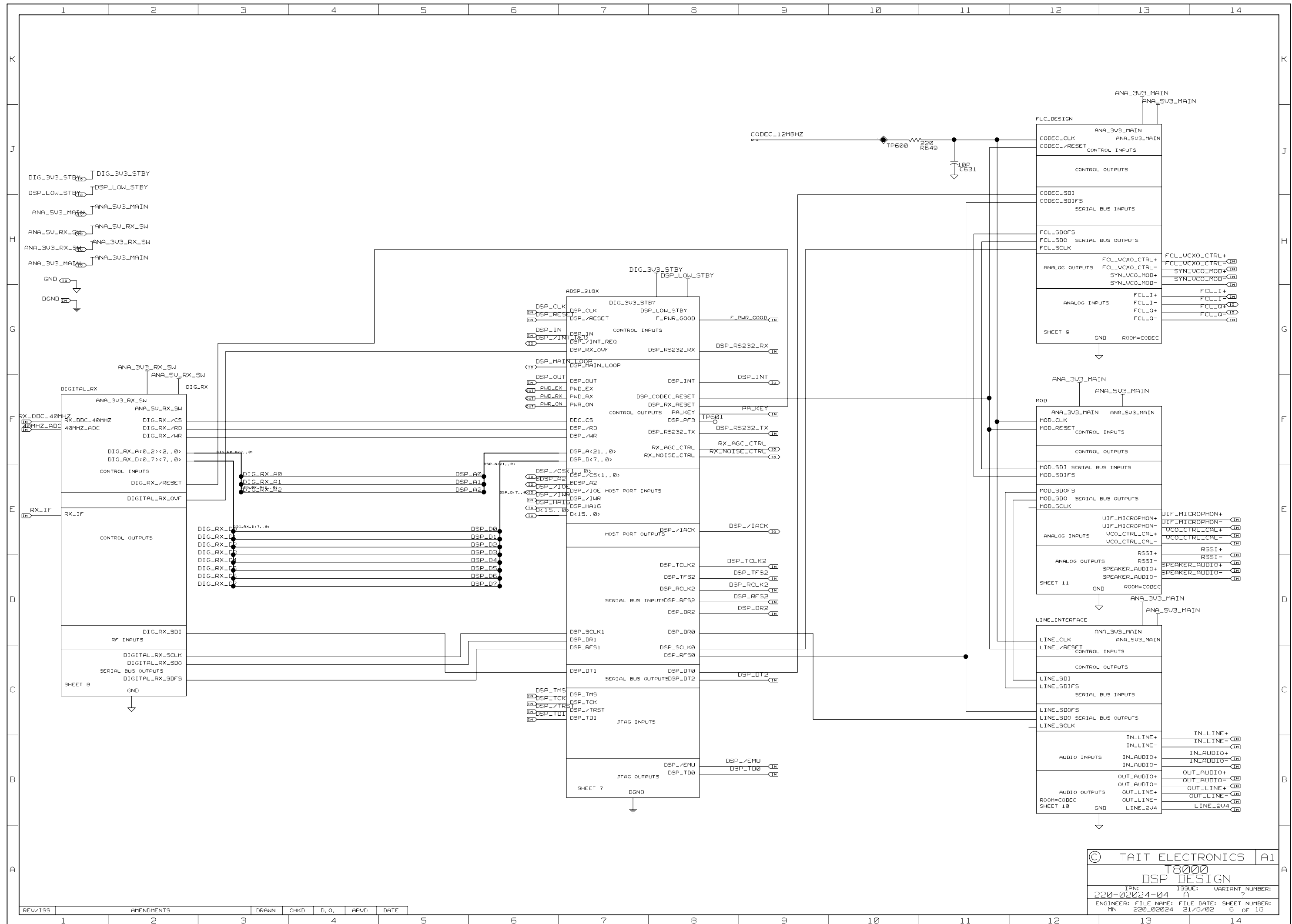
© TAIT ELECTRONICS A1
 T8000
 RISC DESIGN
 IPN: 220-02024-04 ISSUE: A VARIANT NUMBER: ?
 ENGINEER: MN FILE NAME: 220_02024 FILE DATE: 21/8/02 SHEET NUMBER: 3 of 33

REV/ISS	AMENDMENTS	DRAWN	CHKD	D. O.	APUD	DATE
1						



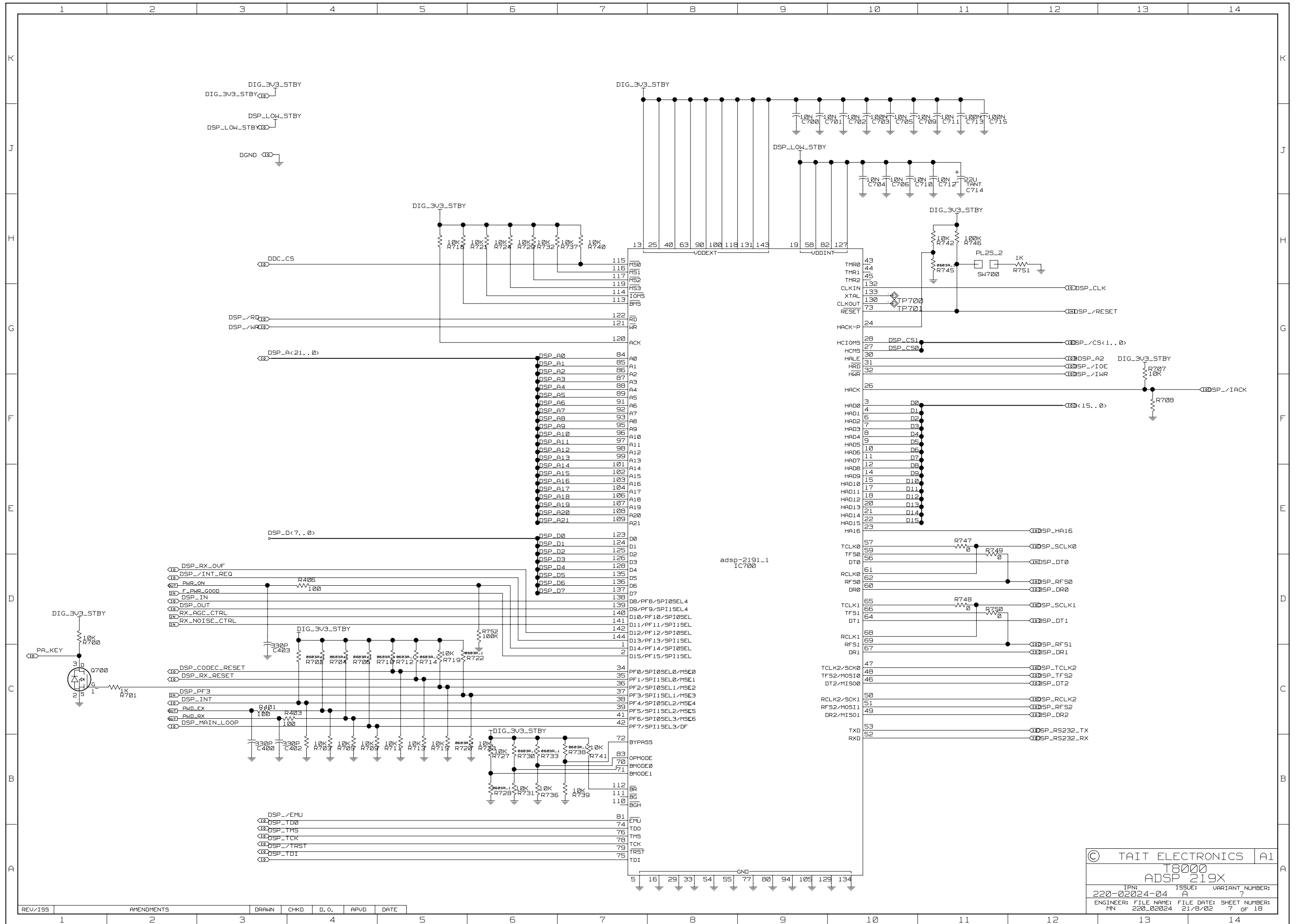


REV/ISS	AMENDMENTS	DRAWN	CHKD	D. O.	APUD	DATE
1	2	3	4	5	6	7



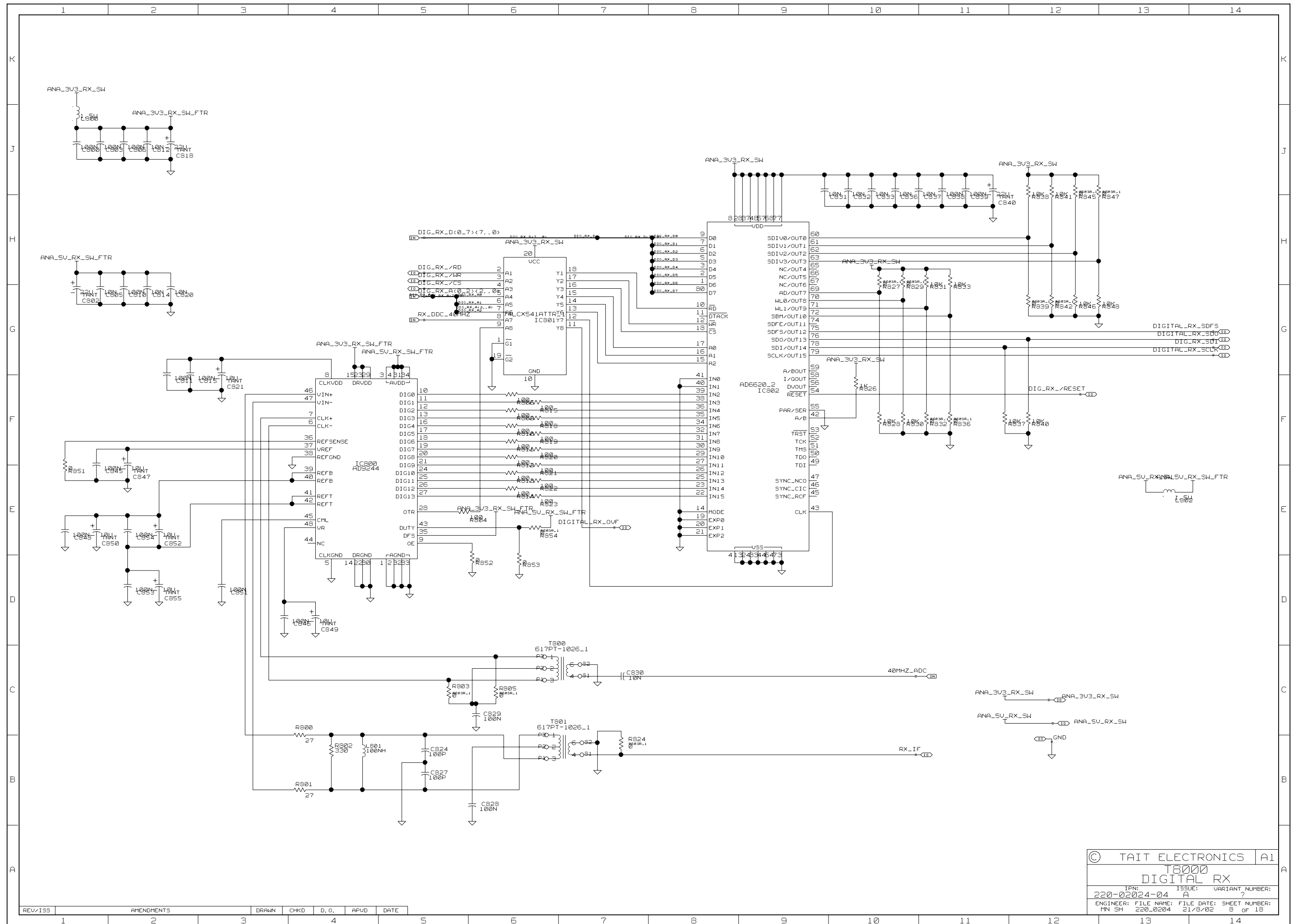
© TAIT ELECTRONICS A1
 T8000
 DSP DESIGN
 IPN: 220-02024-04 ISSUE: A VARIANT NUMBER: ?
 ENGINEER: FILE NAME: FILE DATE: SHEET NUMBER:
 MN 220_02024 21/8/02 6 of 18

REV/ISS	AMENDMENTS	DRAWN	CHKD	D. O.	APUD	DATE
1						



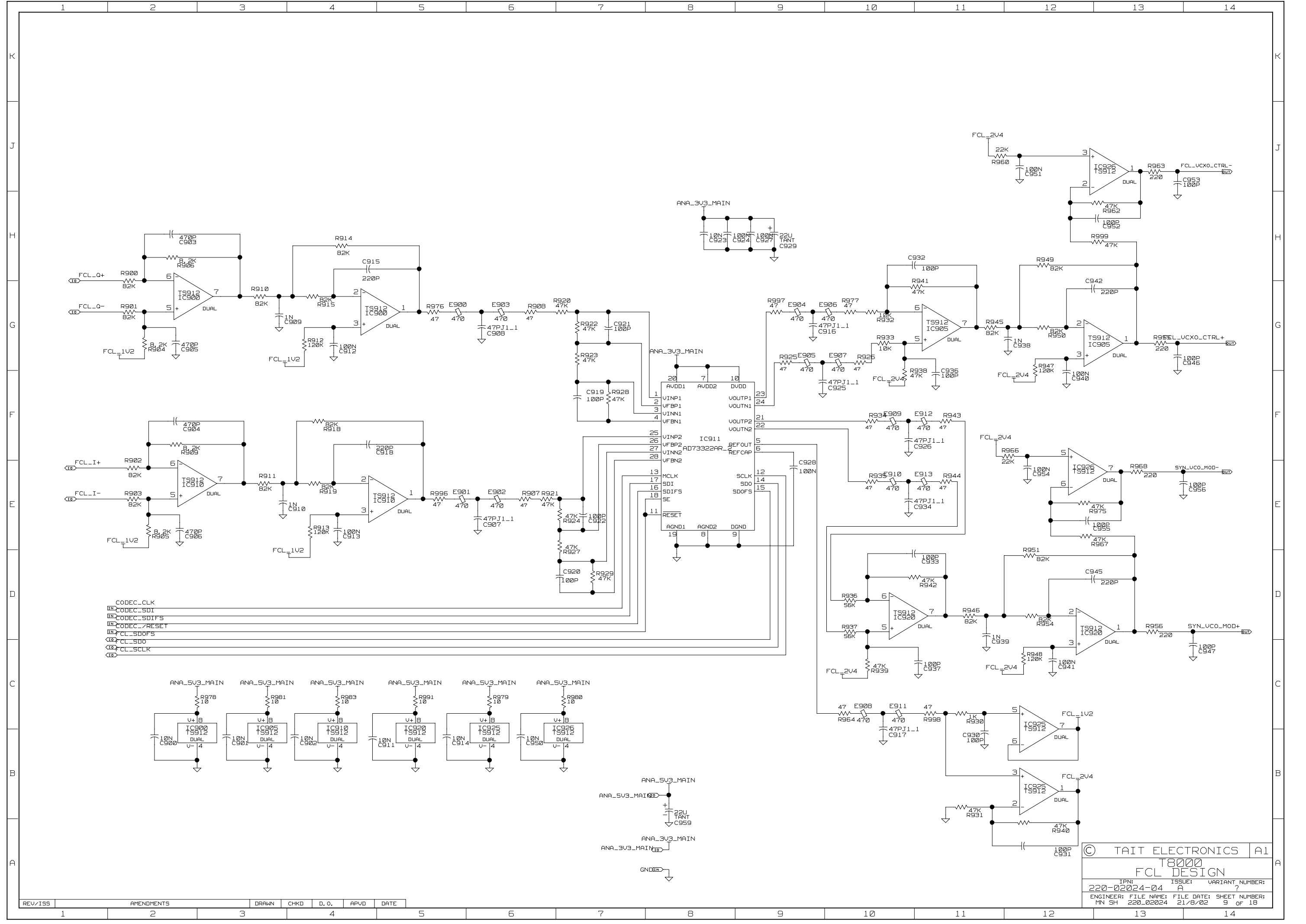
© TAIT ELECTRONICS A1
 T8000
 ADSP 219X
 IPN: 220-022024-04 A ?
 ISSUE: ?
 VARIANT NUMBER: ?
 ENGINEER: MN FILE NAME: 21/8/02 SHEET NUMBER: 7 of 18

REV/ISS	AMENDMENTS	DRAWN	CHKD	D. O.	APUD	DATE
1	2	3	4	5	6	7



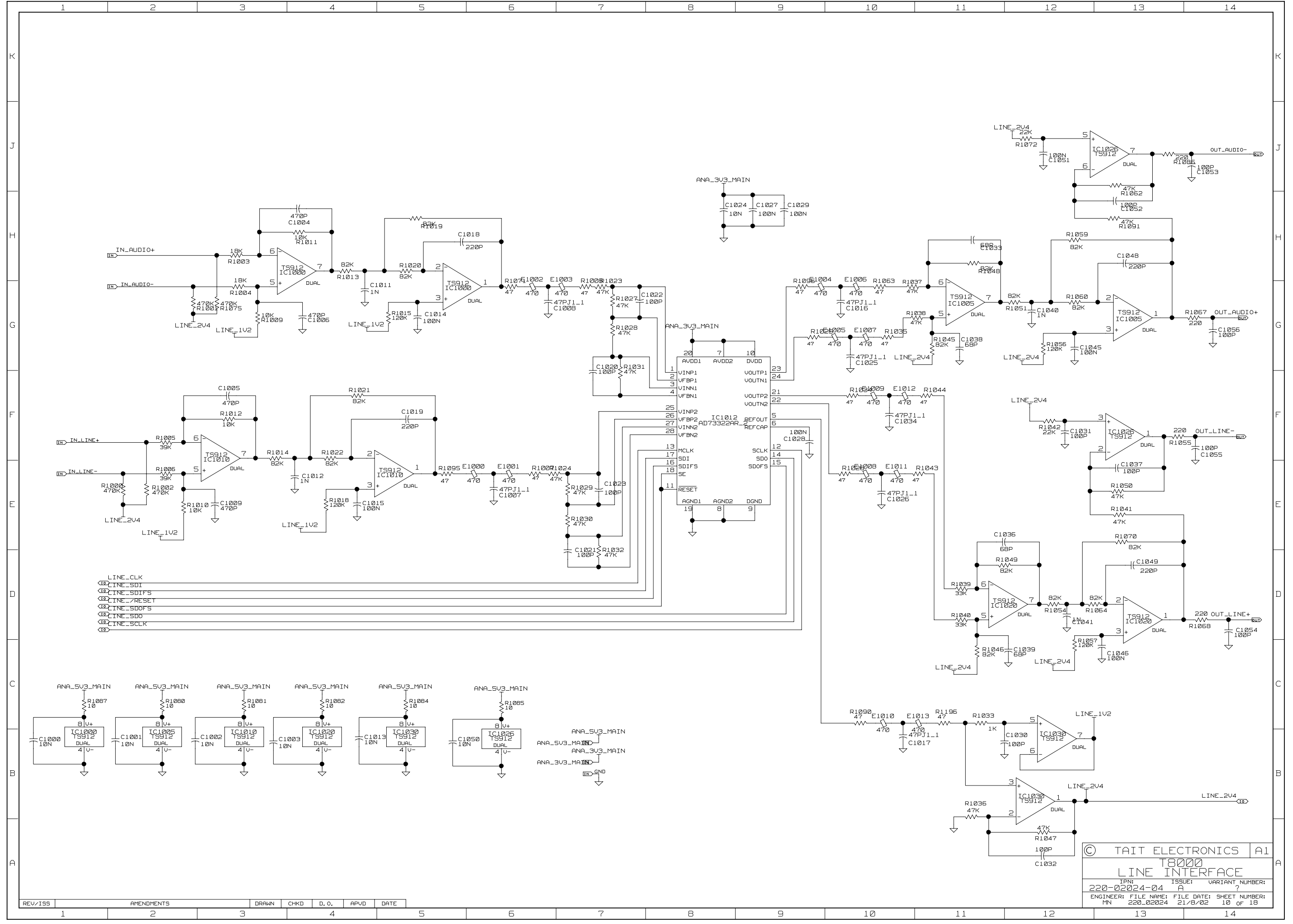
© TAIT ELECTRONICS A1
 T8000
 DIGITAL RX
 IPN: 220-02024-04 ISSUE: A VARIANT NUMBER: ?
 ENGINEER: MN SH FILE NAME: 220_0204 FILE DATE: 21/8/02 SHEET NUMBER: 8 of 18

REV/ISS	AMENDMENTS	DRAWN	CHKD	D. O.	APUD	DATE
1						
2						
3						
4						
5						
6						
7						
8						
9						
10						
11						
12						
13						
14						



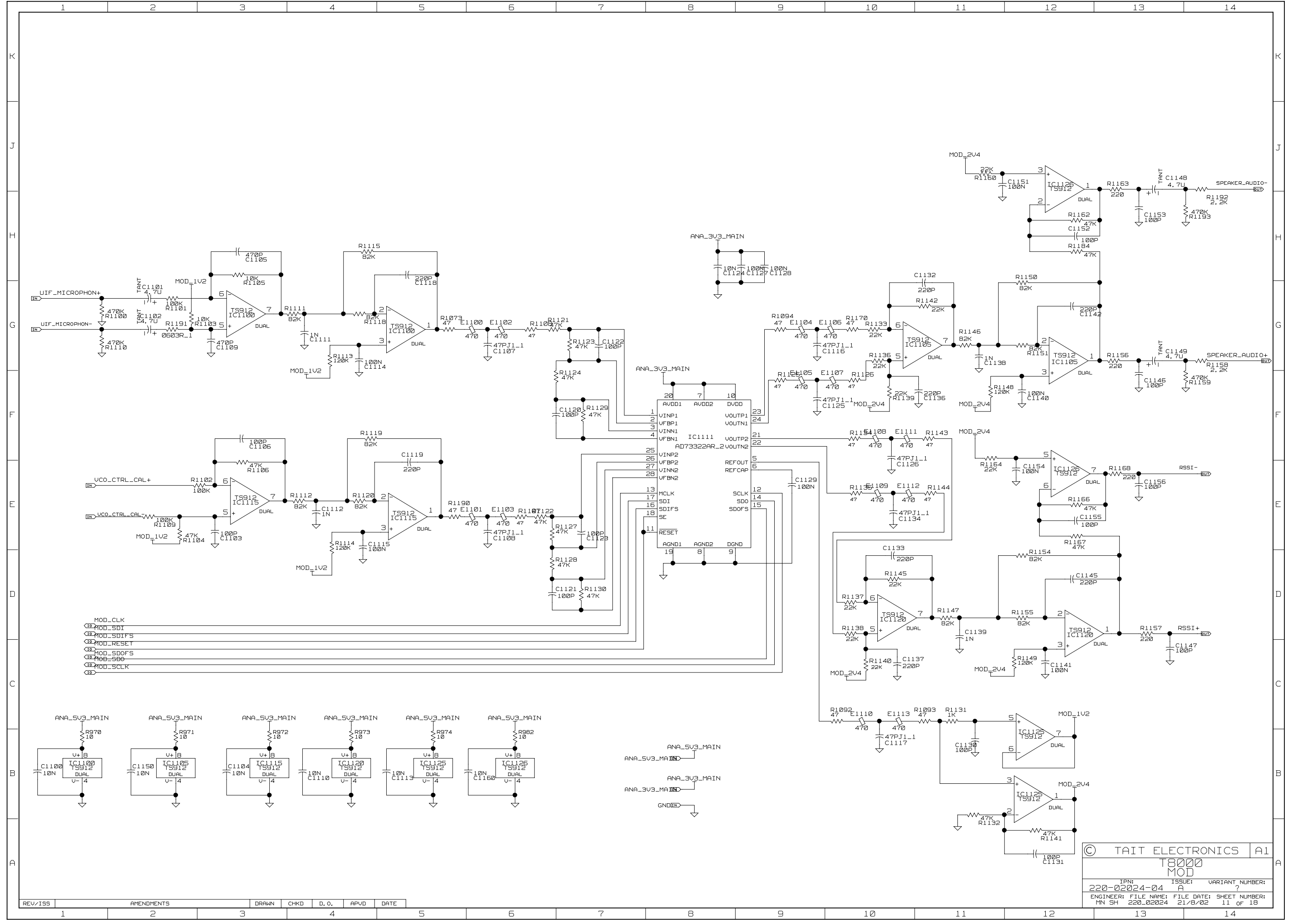
REV/ISS	AMENDMENTS	DRAWN	CHKD	D. O.	APUD	DATE
1						

© TAIT ELECTRONICS A1
T8000
FCL DESIGN
 IPN: 220-022024-04 ISSUET: A VARIANT NUMBER: ?
 ENGINEER: MN SH FILE NAME: 21/8/02 FILE DATE: 9 of 18
 SHEET NUMBER: 9 of 18



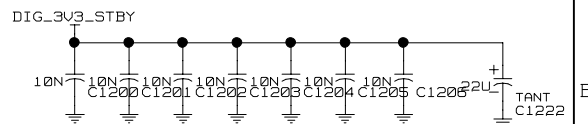
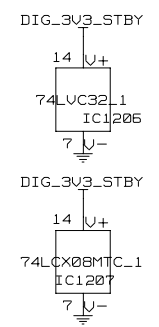
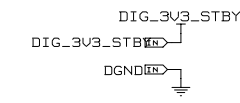
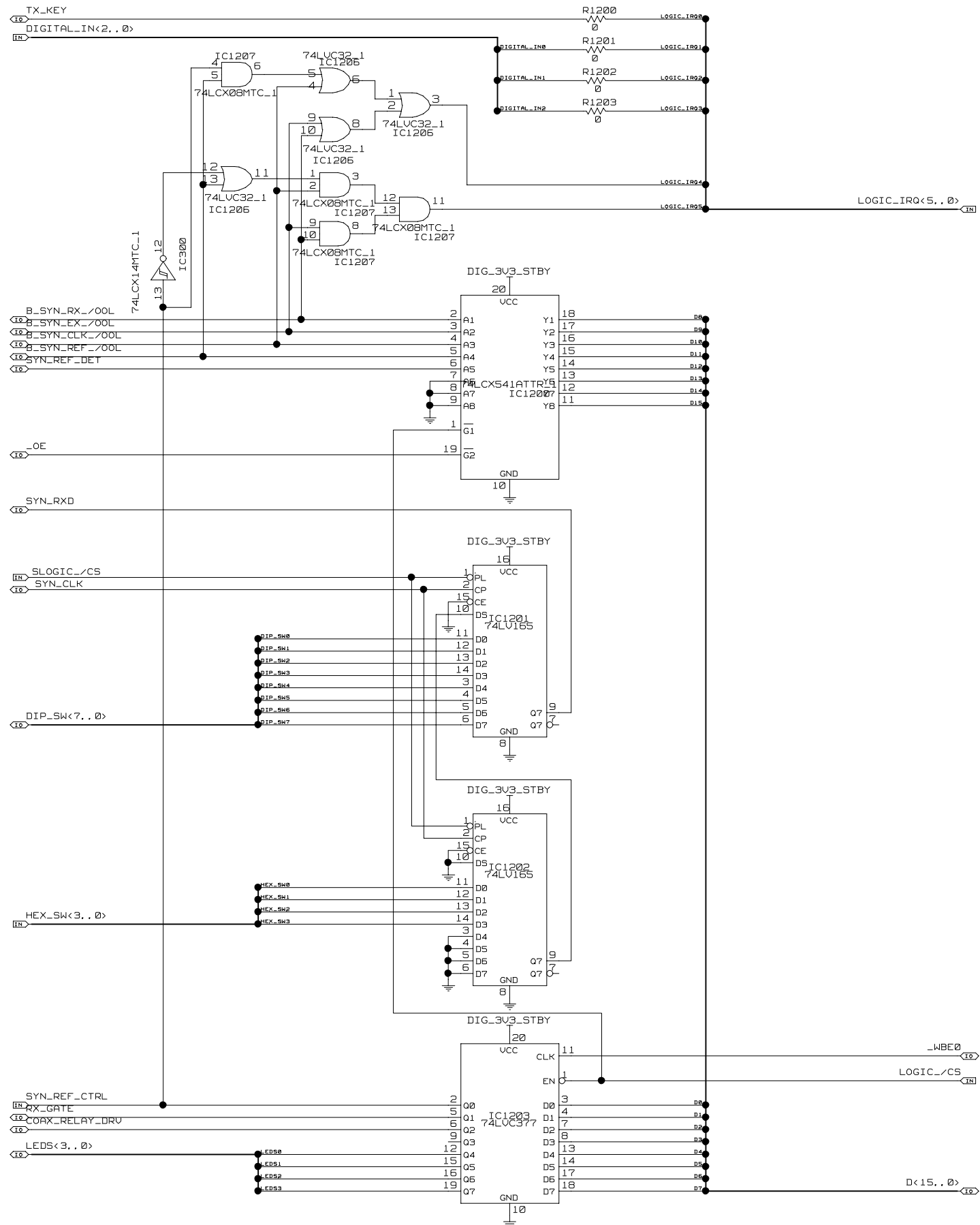
© TAIT ELECTRONICS A1
T8000
LINE INTERFACE
 IPN: 220-02024-04 ISSUE: A VARIANT NUMBER: ?
 ENGINEER: MN FILE NAME: 220_02024_21/8/02 FILE DATE: 21/8/02 SHEET NUMBER: 10 of 18

REV/ISS	AMENDMENTS	DRAWN	CHKD	D. O.	APUD	DATE
1	2	3				



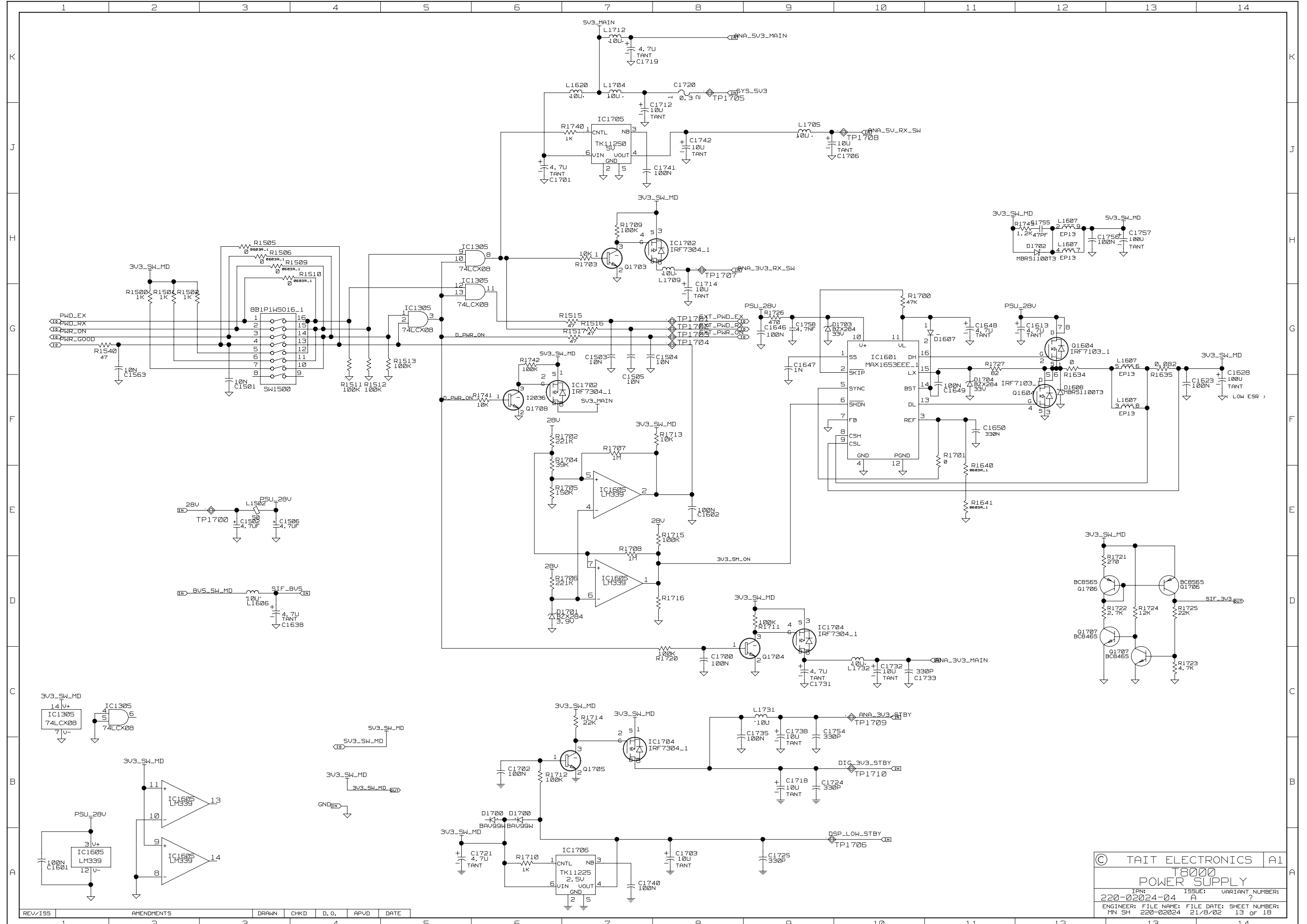
© TAIT ELECTRONICS A1
T800
MOD
 IPN: 220-02024-04 ISSUE: A VARIANT NUMBER: ?
 ENGINEER: MN SH FILE NAME: 220_02024 FILE DATE: 21/8/02 SHEET NUMBER: 11 of 18

REV/ISS	AMENDMENTS	DRAWN	CHKD	D. O.	APUD	DATE
1						
2						
3						
4						
5						
6						
7						



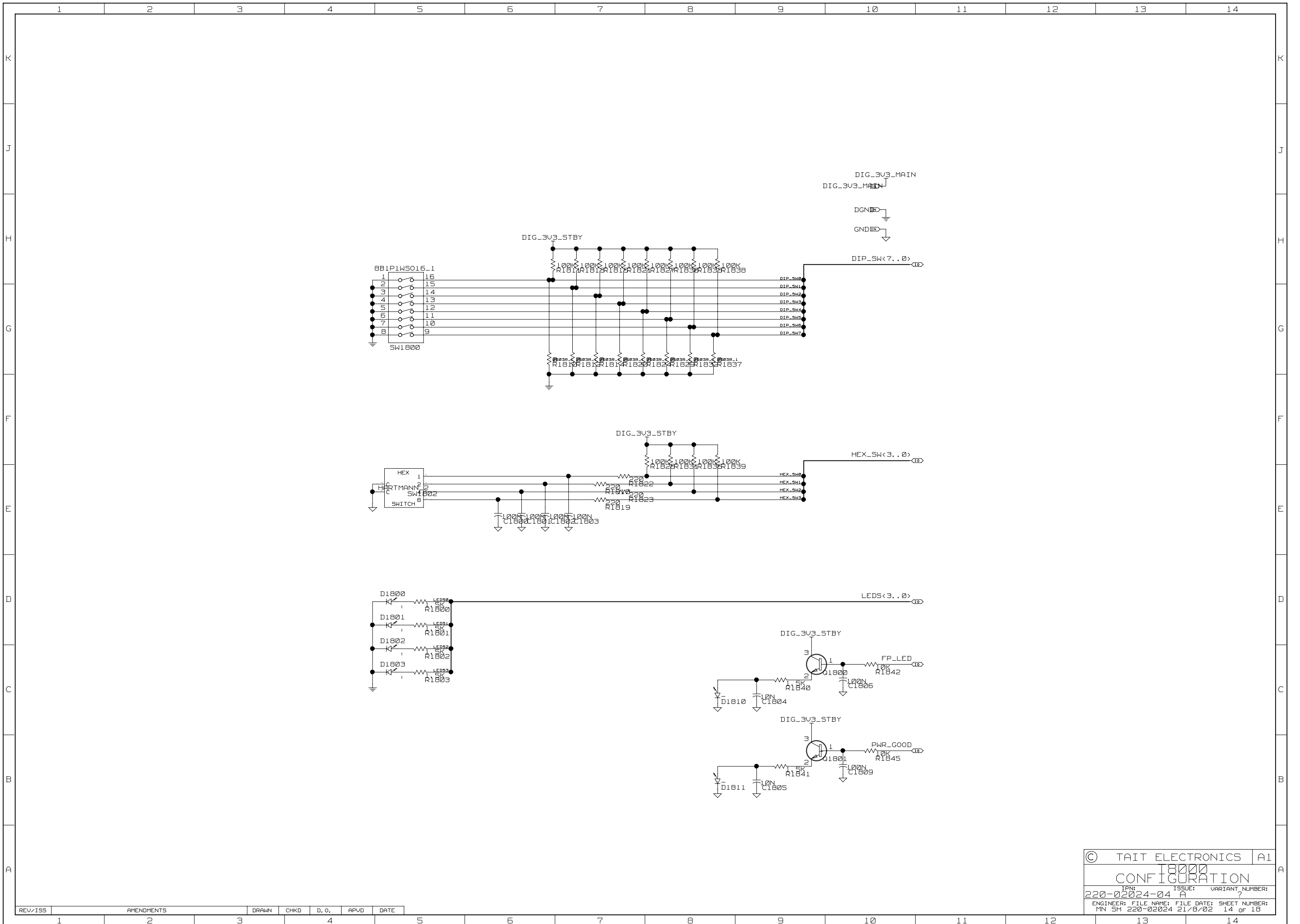
© TAIT ELECTRONICS A1
T8000
LOGIC DESIGN
IPN: 220-02024-04 ISSUE: A VARIANT NUMBER: ?
ENGINEER: FILE NAME: FILE DATE: SHEET NUMBER:
MN 220-02024 21/03/2002 12 of 18

REV/ISS	AMENDMENTS	DRAWN	CHKD	D. O.	APUD	DATE
1	2	3	4	5	6	7



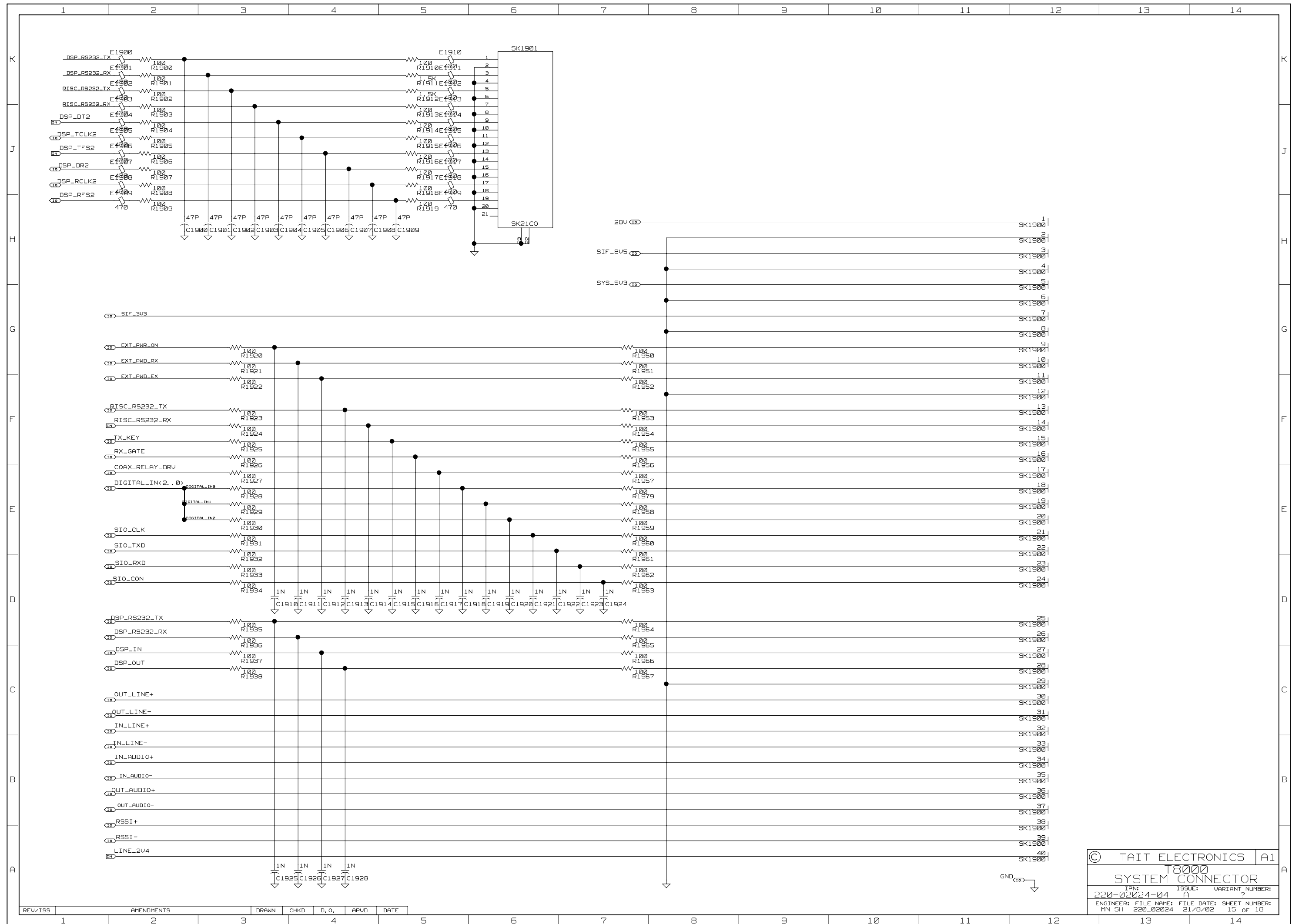
© TAIT ELECTRONICS A1
T8000
POWER SUPPLY
 IPN: 220-022024-04 ISSUE: A VARIATION NUMBER: ?
 ENGINEER: MN SH FILE NAME: 220-022024_21/8/02 FILE DATE: 13 OF 18

REV/ISS	AMENDMENTS	DRAWN	CHKD	D. O.	APUD	DATE
1						
2						
3						
4						
5						
6						
7						
8						
9						
10						
11						
12						
13						
14						



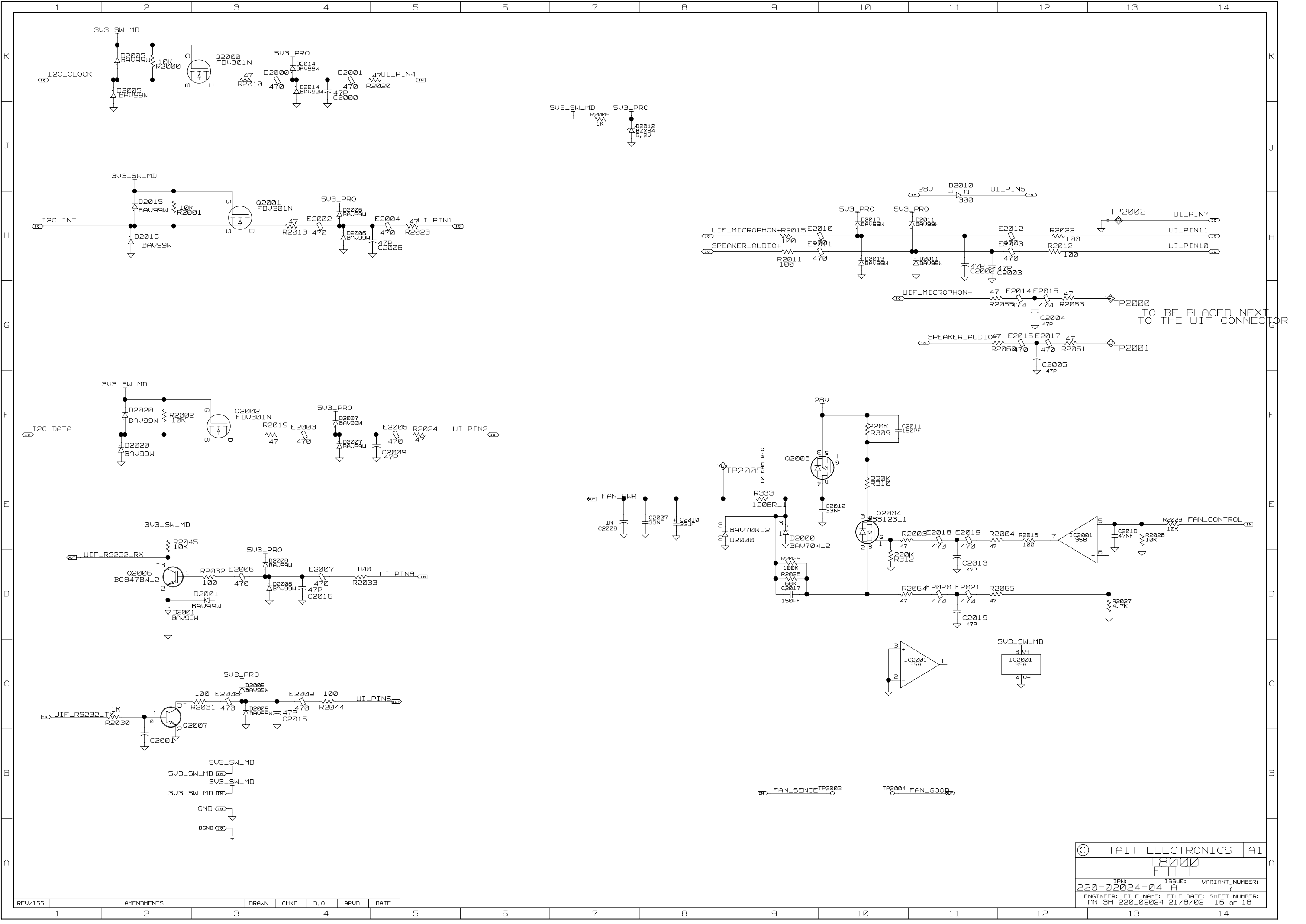
© TAIT ELECTRONICS A1
 18000
 CONFIGURATION
 IPNR: 220-02024-04 A ISSUE: VARIANT NUMBER:
 ENGINEER: FILE NAME: FILE DATE: SHEET NUMBER:
 MN SH 220-02024 21/8/02 14 of 18

REV/ISS	AMENDMENTS	DRAWN	CHKD	D. O.	APUD	DATE
1	2	3	4	5	6	7



REV/ISS	AMENDMENTS	DRAWN	CHKD	D. O.	APUD	DATE
1	2	3	4	5	6	7

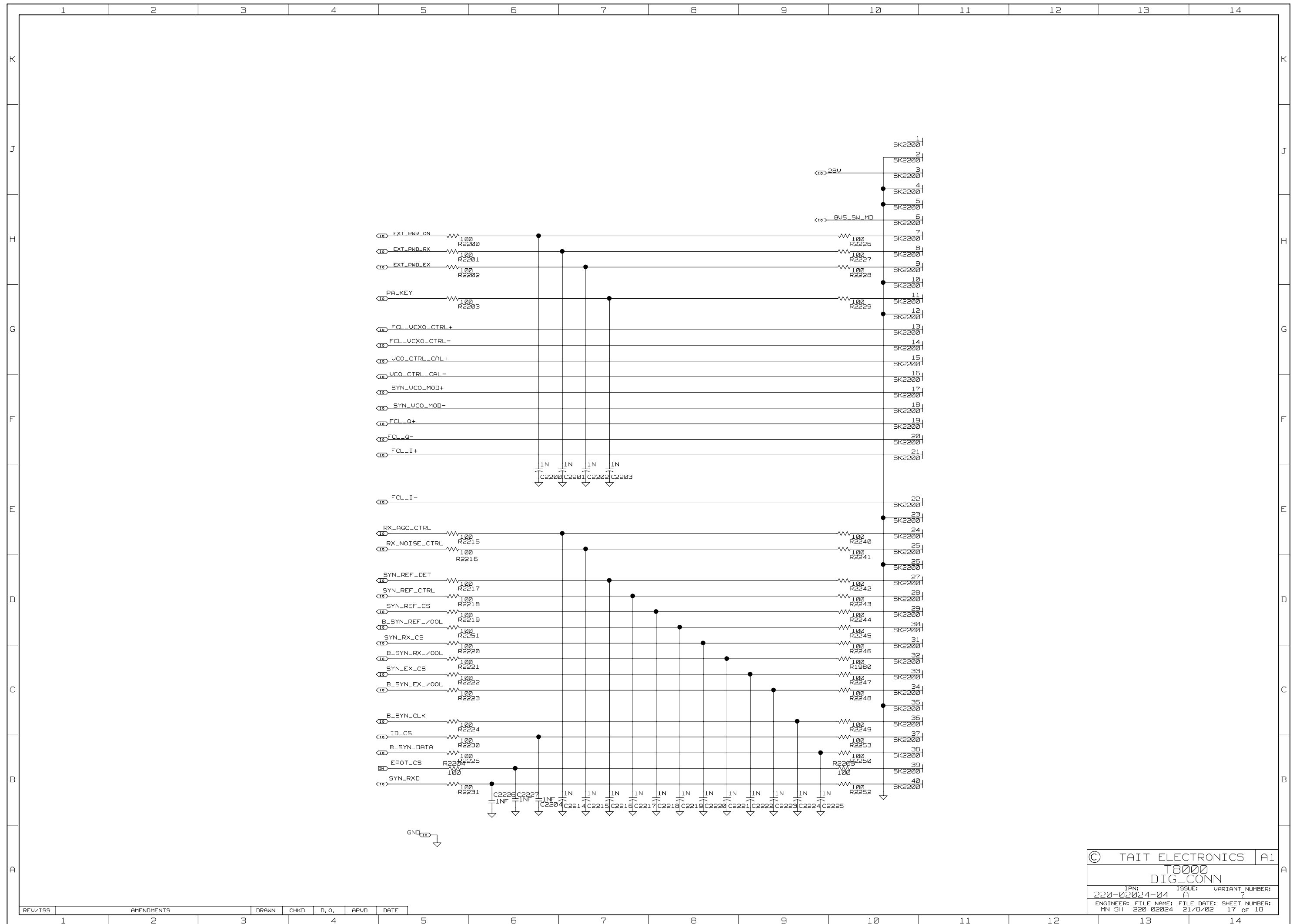
© TAIT ELECTRONICS		A1
T8000		
SYSTEM CONNECTOR		
IPN:	ISSUE:	VARIANT NUMBER:
220-02024-04	A	?
ENGINEER:	FILE NAME:	FILE DATE:
MN SH	220_02024	21/8/02
		SHEET NUMBER:
		15 of 18



TO BE PLACED NEXT TO THE UIF CONNECTOR

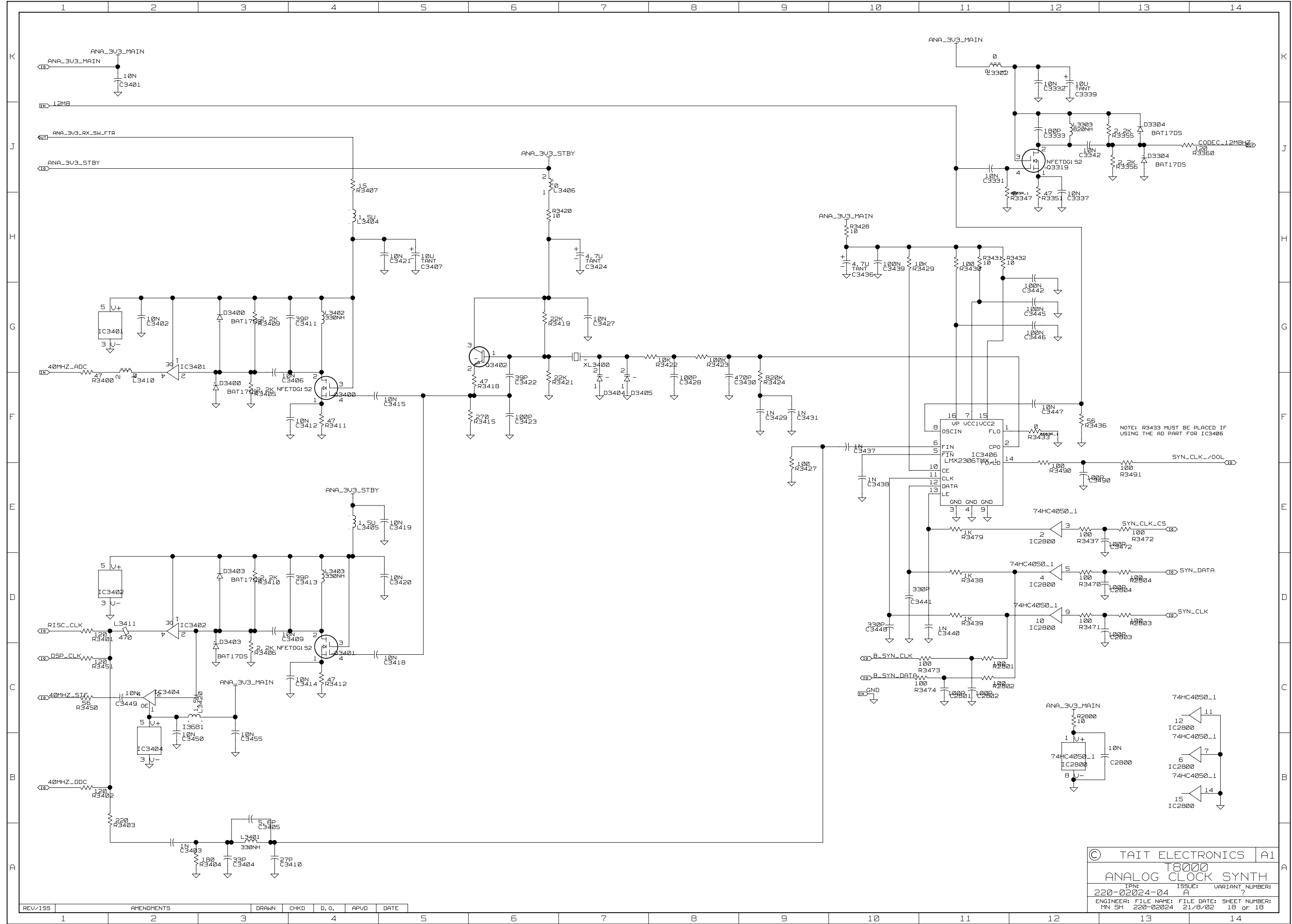
© TAIT ELECTRONICS		A1
18000 FILE		
IPN: 220-02024-04	ISSUE: A	VARIANT NUMBER: ?
ENGINEER: FILE NAME: FILE DATE: SHEET NUMBER: MN SH 220_02024 21/8/02 16 of 18		

REV/ISS	AMENDMENTS	DRAWN	CHKD	D. O.	APVD	DATE
1						
2						
3						
4						
5						
6						
7						
8						
9						
10						
11						
12						
13						
14						



© TAIT ELECTRONICS		A1
T8000 DIG_CONN		
IPN:	ISSUE:	VARIANT NUMBER:
220-02024-04	A	?
ENGINEER:	FILE NAME:	FILE DATE:
MN SH	220-02024	21/8/02
		SHEET NUMBER:
		17 of 18

REV/ISS	AMENDMENTS	DRAWN	CHKD	D. O.	APUD	DATE
1	2	3	4	5	6	7



© TAIT ELECTRONICS A1
 T800
 ANALOG CLOCK SYNTH
 IPN: 220-02024-04 ISSUE: A VARIANT NUMBER: ?
 ENGINEER: FILE NAME: FILE DATE: SHEET NUMBER:
 MN SH 220-02024 21/8/02 18 of 18

REV/ISS	AMENDMENTS	DRAWN	CHKD	D. O.	APUD	DATE
1						
2						
3						

